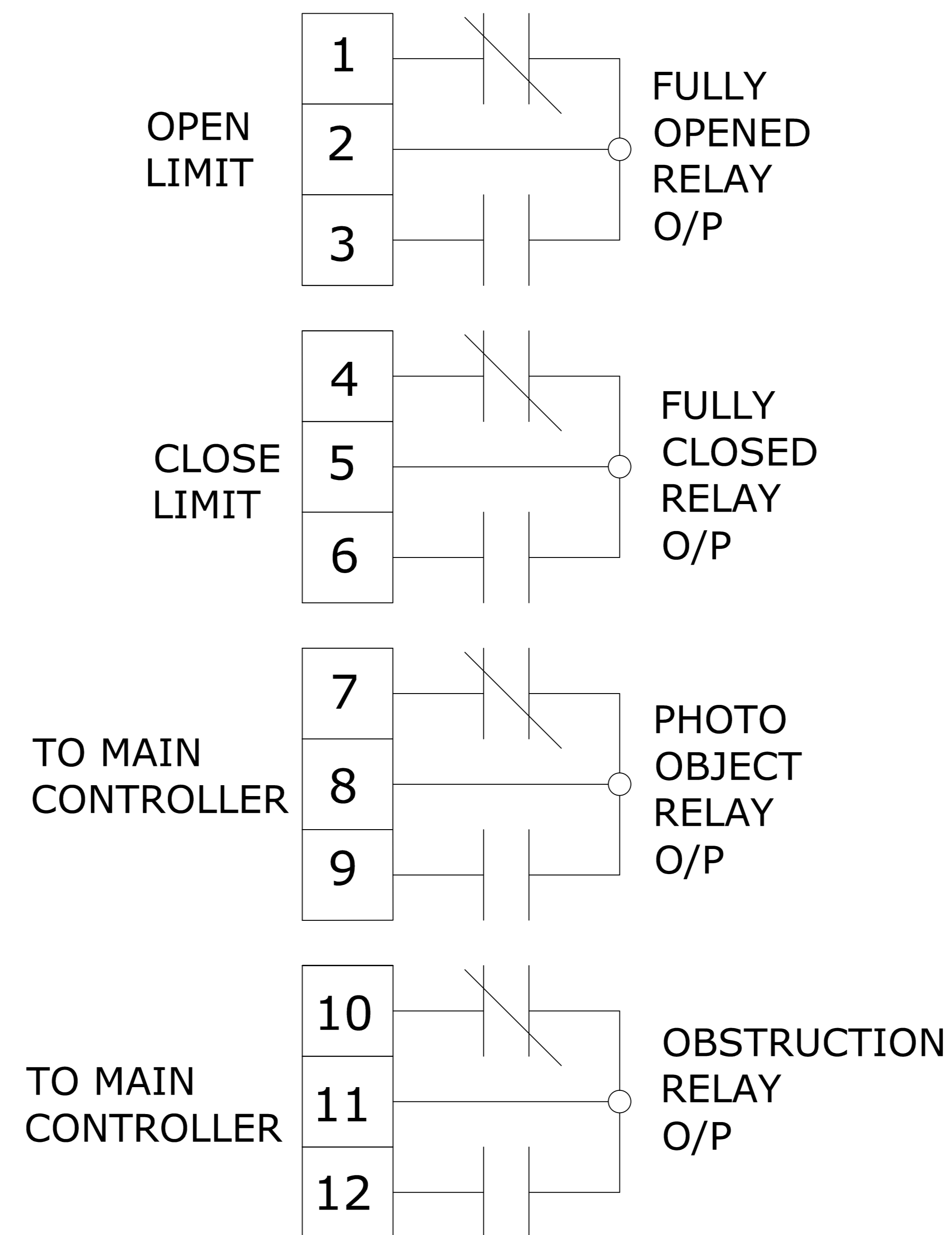
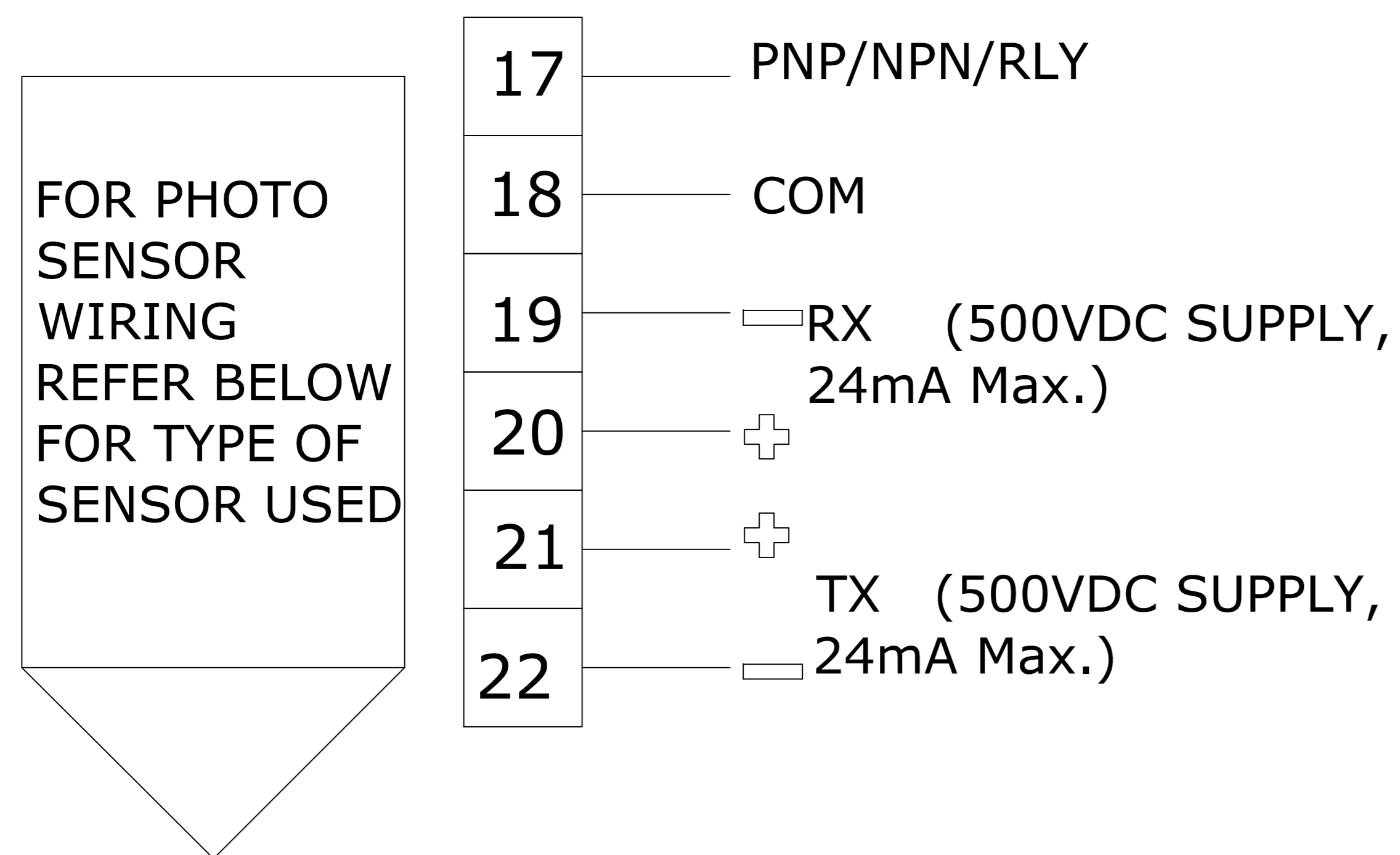
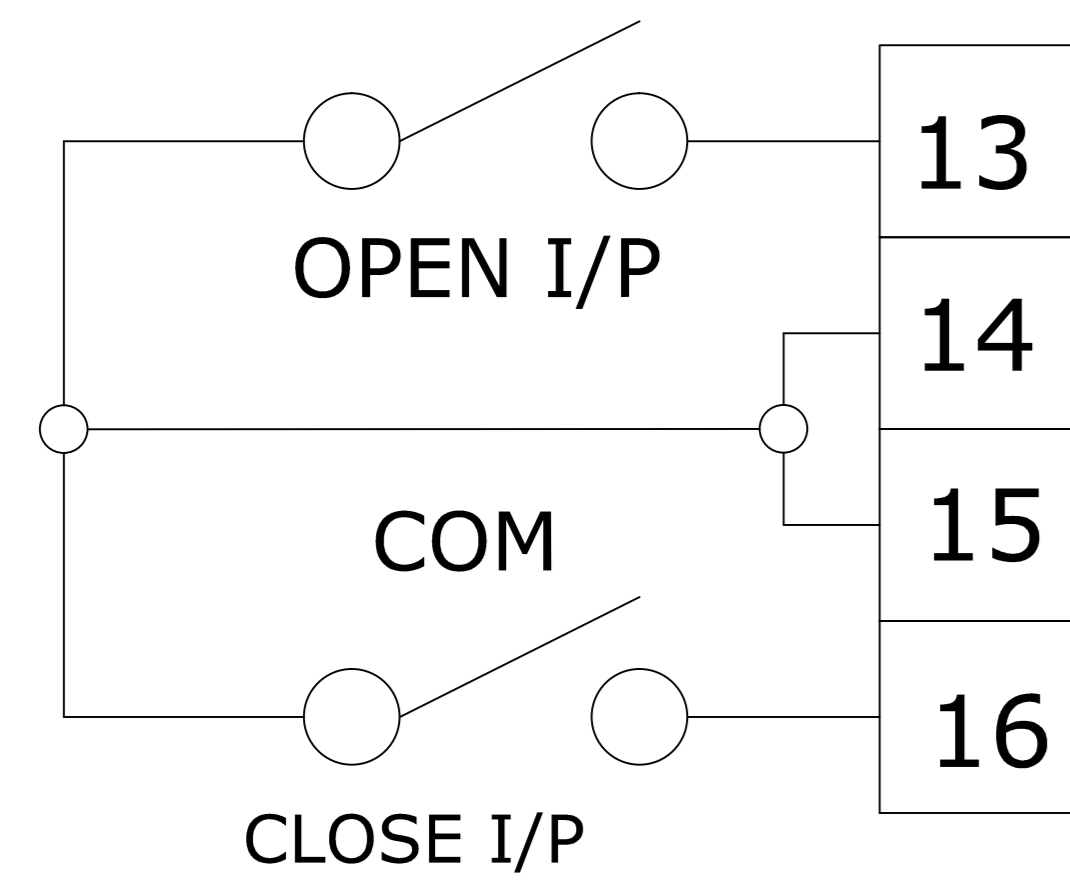


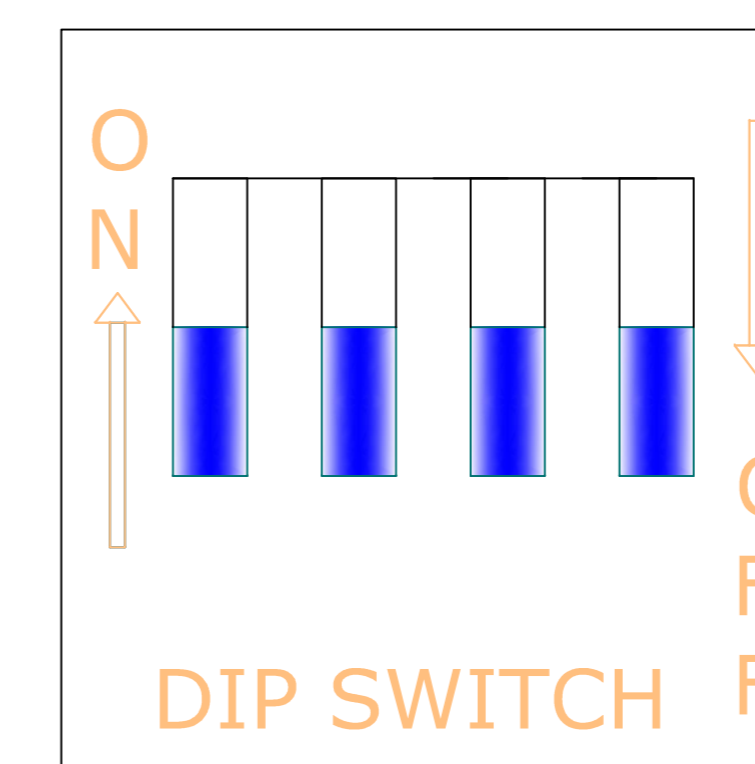
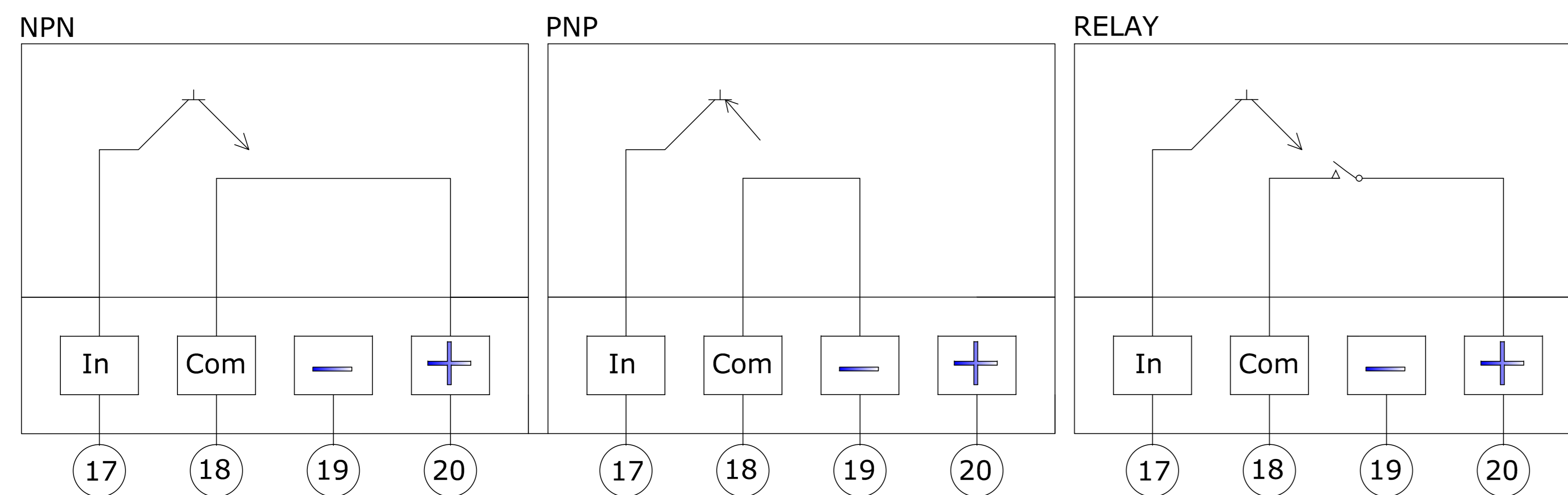
# DRIVE CONNECTIONS



## FUNCTION DISPLAY

1. OPEN FAST SPEED
2. CLOSE FAST SPEED
3. OPEN SLOW SPEED
4. CLOSE SLOW SPEED
5. OPEN SLOW LOCATED DISTANCE
6. CLOSE SLOW LOCATED DISTANCE
7. OPEN BRAKE SLOPE
8. CLOSE BRAKE SLOPE
9. CLOSE SAFETY FORCE
10. CLOSE HOLDING FORCE

## Photo Sensor Type



1. ON - Automatic Skate Release  
OFF - No Skate Release
2. ON - Automatic (with skate)  
OFF - Manual (without skate)
3. ON - One direction of Door opening  
OFF - Other direction of Door opening
4. ON - Master Mode - (photo Sensor)  
OFF - Slave Mode - (photo sensor)